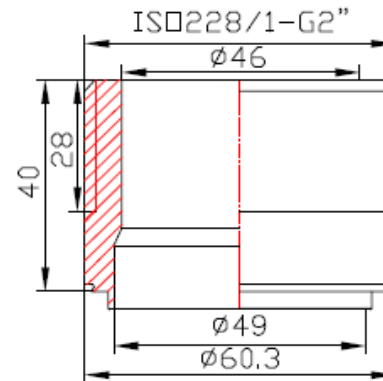


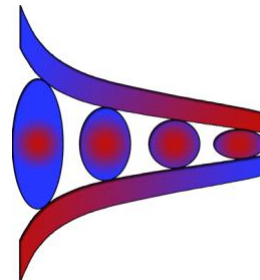
4-M8X 23

D1-D2-D3-D4
W520

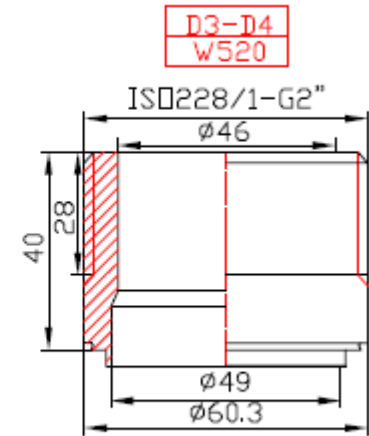
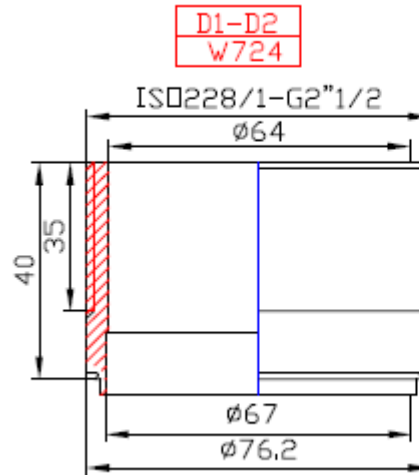
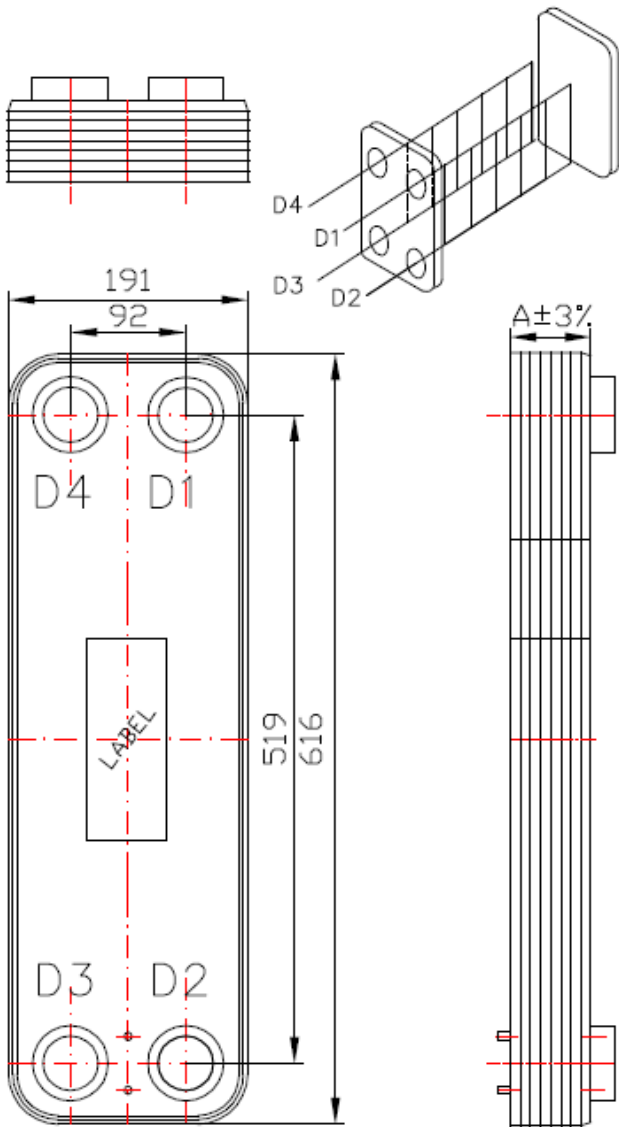


#	Modell	A [mm]	Fläche [m ²]
1	EWT-BL-95B x 20D	67	1,17
2	EWT-BL-95B x 40D	123	3,61
3	EWT-BL-95B x 60D	180	5,51
4	EWT-BL-95B x 90D	264	8,36
5	EWT-BL-95B x 100D	292	9,31
6	EWT-BL-95B x 150D	432	14,06

Max. Druck	3,0 MPa
Prüfdruck	4,5 MPa
Temp.	-160 °C - 225°C
Plattenmaterial	AISI 316L
Lot	99,9 % Cu

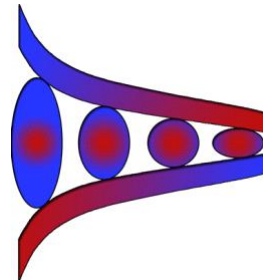


EWT-BL-95B



#	Modell	A
1	EWT-BL-95C x 60D	180
2	EWT-BL-95C x 90D	264
3	EWT-BL-95C x 150D	432

Max. Druck	3,0 MPa
Prüfdruck	4,5 MPa
Temp.	-160 °C - 225°C
Plattenmaterial	AISI 316L
Lot	99,9 % Cu



EWT-BL-95C